



	Fresh Water	Pool Water	Sea Water	220-240 V	400 V	110-120 V	50 Hz	60 Hz	12 V AC	24 V DC	DMX	DMX/RDM	Plug and Spray
Varionaut 90 24V/DMX/02	✓	✓	✓	✓	✓	✓	✓	✓	✓	✓	✓	✓	✓
Varionaut 1 /A/DMX/01	✓	✓	✓	✓	✓	✓	✓	✓	✓	✓	✓	✓	✓

VARIONAUT 90 24V/DMX/02, VARIONAUT 1

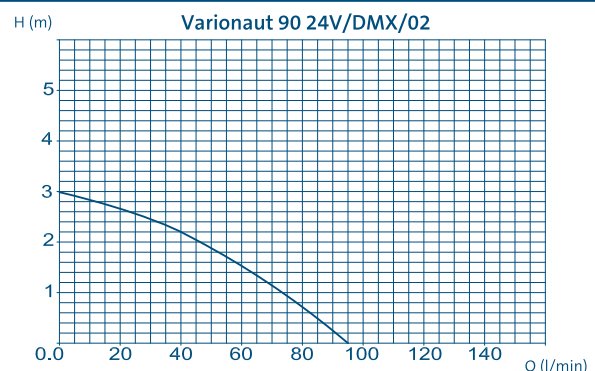
A 24 V/DC indoor and outdoor fountain pump which is suitable for underwater application directly below the nozzles. It fulfills the national regulations of DC current up to 30 V. Any single pump can be individually regulated and controlled via the DMX connection. That way dynamic water effects can be created easily.

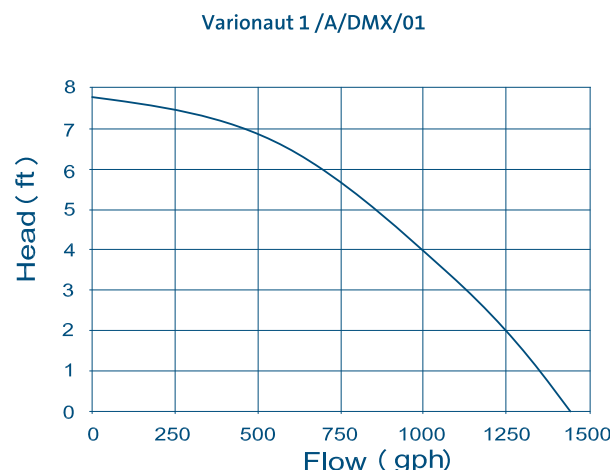
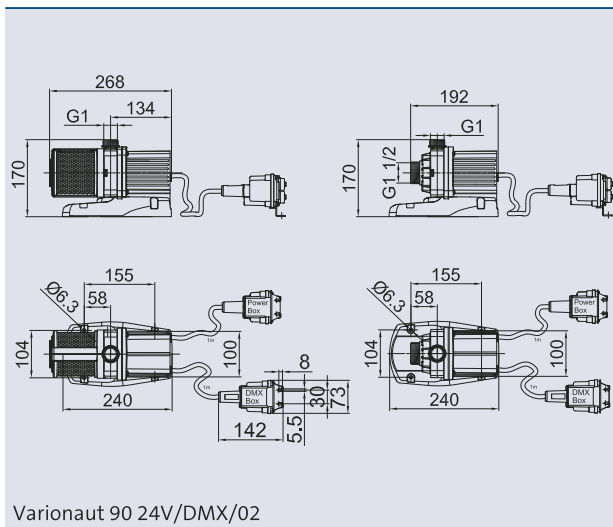
The Varionaut 90 itself produces water displays of up to 2.00 m height – in combination with Comet 5-8 Silver nozzles. It comes with a high-quality stainless steel filter housing, along with 2 connection boxes for the 24 V power supply (only the Varionaut 90) and DMX data source. Through this special connection technology, wiring by hand is no longer necessary. This IP 68 waterproof, patented connection system makes the installation safer, easier and faster. Spotlights and other consumer

loads (e.g. LED spotlights) can be connected easily to DMX/RDM of the pump.

Product characteristics at a glance

- 24 Volt DC continuous current indoor and outdoor fountain pump
- Can be placed directly below the nozzles in the water as DC up to 30V/DC is approved by national regulations
- Suitable for wet or dry installation
- Power consumption of max. 60 W
- Reverse polarity protection
- 1 m power cable with power box (only 50136) and 1 m DMX cable with DMX box
- Frost protected up to -20° C
- IP 68 rated





To operate the Varionaut 90 or Varionaut 1/A an OASE Easy Control or OASE WECS is required (not included).

Accessories (must be ordered separately)

Comet 5-8 Silver (see page 42)	50762
Comet 5-8 T (see page 44)	50964

Connecting cable DMX/01 (see page 162)	Order no.
Connecting cable DMX/1.0 m/01	12368
Connecting cable DMX/3.0 m/01	12369
Connecting cable DMX/5.0 m/01	12371
Connecting cable DMX/10.0 m/01	12372
Connecting cable DMX/20.0 m/01	12373
End Resistant for Bus-System DMX/01	12007

Connecting cable 24V DC/01 (see page 160)	Order no.
Connecting cable 24V DC /1.0 m/01	12762
Connecting cable 24V DC /3.0 m/01	12552
Connecting cable 24V DC /7.5 m/01	12553
Connecting cable 24V DC /15.0 m/01	11720
PowerBox 24 V DC / 01 (see page 160)	50493
Underwater power supply 250/24 V/01 (see page 170)	50733
WECS II 512 / DMX/02 (see page 174)	56491
WECS II 1024 / DMX/02 (see page 174)	56492
WECS II 2048 / DMX/02 (see page 180)	56507

	Varionaut 90 /24V/DMX/02	Varionaut 1 /A/DMX/01
Motor Type/ Electronic	24V DC EC-Motor, DMX controlled	24V DC EC-Motor, DMX controlled
Hmax [m]	2.60 [ft]	7.70
Qmax [l/min]	95 [gph]	1450
Power max. [W]	60 [W]	60
Nominal current [A]	2.50 [A]	2.50
Dynamic behaviour speed: (time to reach full fountain height from 0 – 100 %) with comet 5-8 [s]	0.60 [s]	0.60
Qmin (offset mode – DMX 0) [l/min]	26 [gph]	412
Max. Powering up / min. Off time [s]	1 x per minute / 10 [s]	1 x per minute / 10
Nominal voltage [V/DC]	24 [V/DC]	24
Immersion depth max. [m]	4 [ft]	13.10
Protection class	IP 68	IP 68
Dimensions incl. filter (LxWxH) [mm]	268 x 142 x 170 [inch]	10.60 x 5 x 6.70
Suction side connection [inch]	Thread G 1 ½ (external thread) [inch]	Thread G 1 ½ (external thread)
Pressure side connection [inch]	Thread G 1 (external thread) [inch]	Thread G 1 (external thread)
Weight [kg]	3.70 [lb]	8
Filter housing	Plastic / stainless steel 1.4301 (AISI 304)	Plastic / stainless steel 1.4301 (AISI 304)
Input DMX	1 m BUS cable with DMX box	3 ft BUS cable with DMX box
Input power	1 m power cable with power box	20 ft power cable without power box
Number of DMX channels	2 channels (control channel, speed channel)	2 channels (control channel, speed channel)
Environmental conditions: submersible application [°C]	Water temperature: min. 4 to max. 35 [°C]	Water temperature: min. 4 to max. 35
Environmental conditions: dry application [°C]	Ambient temperature: max. 30 with natural convection, max. 40 with forced convection, no direct sun exposure permitted [°C]	Ambient temperature: max. 30 with natural convection, max. 40 with forced convection, no direct sun exposure permitted
Order no.	50136	50309