



	Fresh Water	Pool Water	Sea Water	220-240 V	400 V	110-120 V	50 Hz	60 Hz	12 V AC	24 V DC	DMX	DMX/RDM	Plug and Spray
Nozzle-Chamber Single	✓	✓	✓	✓	✓	✓	✓	✓	✓	✓	✓	✓	✓
Nozzle-Chamber Vario	✓	✓	✓	✓	✓	✓	✓	✓	✓	✓	✓	✓	✓

NOZZLE-CHAMBER SINGLE / VARIO

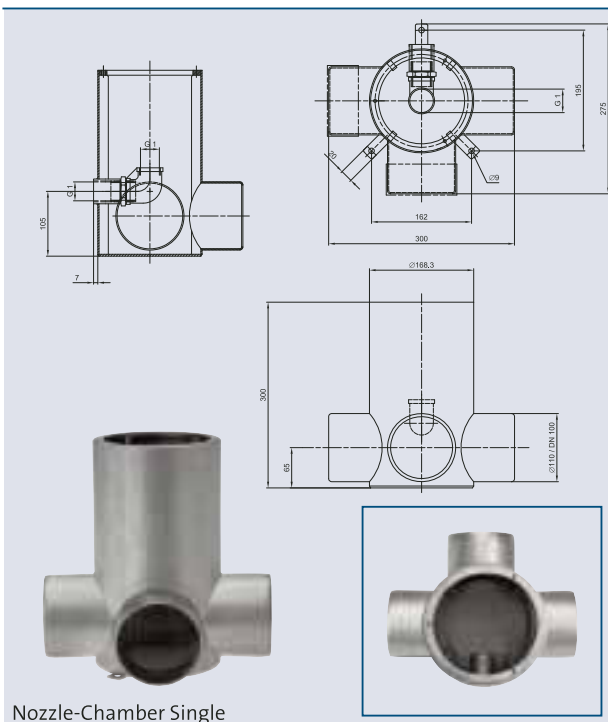
Compact water installations – even without a large pool can be quickly and easily implemented your design ideas in free spaces. The underground niches Nozzle-Chamber Single and Nozzle-Chamber Vario, offer ideal conditions for the uncomplicated installation of attractive water-light combinations without an open water surface. The Nozzle-Chamber Single is ideal for underground installation of the ProfiPlane LED 320/DMX/02 or our Comet and Schaumsprudler fountain jets. With the Nozzle-Chamber Vario you can also easily install the Vario-Switch 010a under-

ground with the ProfiPlane LED 320/DMX/02 or the Comet and Schaumsprudler fountain jets.

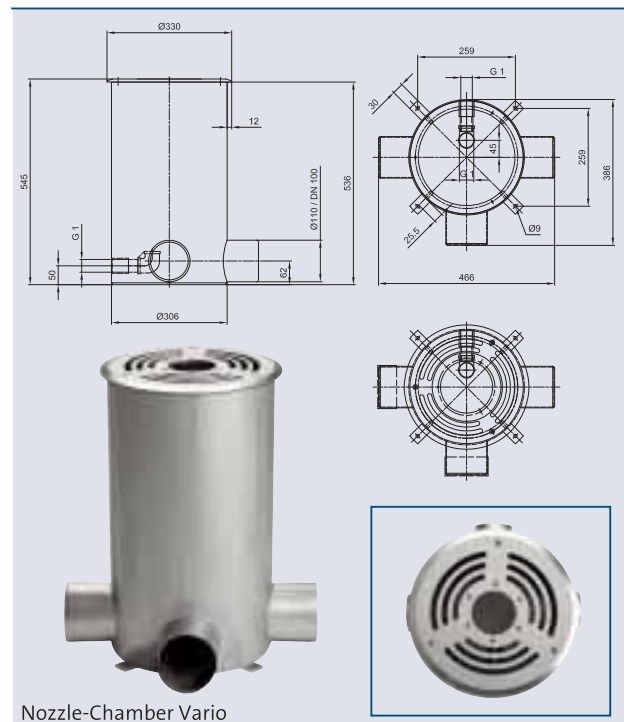
Product characteristics at a glance

- Ideal for installation in open areas and multi-functional areas
- Easy installation
- With 3 DA 110 / DN 100 connections and 2 sealing caps
- G 1" pressure connection including 90° angle
- High-quality, robust stainless steel construction

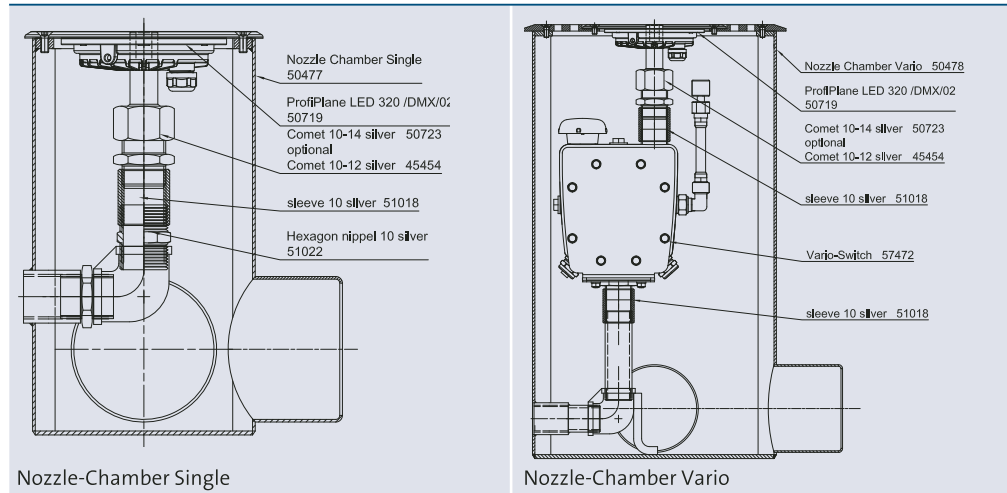
For details of Vario Switch 010a, see page 22.



Nozzle-Chamber Single



Nozzle-Chamber Vario



Nozzle-Chamber Single

Nozzle-Chamber Vario

NEW	5		<ul style="list-style-type: none"> - Graphic shows special coverplate - Individual solution available on request 			<ul style="list-style-type: none"> - Graphic shows special coverplate - Individual solution available on request 			
		Individual coverplate for Nozzle-Chamber Single				Individual coverplate for Nozzle-Chamber Vario			
Order no.		58902				58902			
4									
	ProfiPlane LED 320/DMX/02 (see page 128)				ProfiPlane LED 320/DMX/02 (see page 128)				
Order no.	50719				50719				
3									
	Comet 10-12 Silver (see page 42)		Comet 10-14 Silver (see page 42)		Comet 10-12 Silver (see page 42)		Comet 10-14 Silver (see page 42)		
Order no.	50723		50968		50723		50968		
2	can also be connected to other nozzles (e.g. Schaumsprudler 35-10 E)								
					Vario-Switch 010a/24V (see page 22)				
Order no.					51018				
1									
	Nozzle-Chamber Single				Nozzle-Chamber Vario				
Dimensions (L x W x H) [mm]	300 x 275 x 300				466 x 386 x 536				
Pressure connection [inch]	1								
Connection drain	3 x Ø 110/DN 100								
Material	Stainless steel 1.4301 (AISI 304)				Stainless steel 1.4301 / 1.4571 / Brass (AISI 304 / 316Ti)				
Weight [kg]	5.5				23.0				
Order no.	50477				50478				