



	Fresh Water	Pool Water	Sea Water	220-240 V	400 V	110-120 V	50 Hz	60 Hz	12 V AC	24 V DC	DMX	DMX/RDM	Plug and Spray
Cascade	✓	✓	✓	✓	✓	✓	✓	✓	✓	✓	✓	✓	✓

## CASCADE 50 T TO CASCADE 130 T

These injector nozzles generate a lively full water pattern that changes depending on the water level and accentuates every public area.

Thanks to the injector effect, water and air are suctioned in, mixed intensively and accelerated into the air by the injector jet as an impressive soft flowing fountain. In this process a voluminous fountain that forms a point is generated with relatively low pump capacities.

The foam effect nozzles work depending on the water level; they generate a slender and higher water pattern if the normal water level is not reached. If the normal water level is exceeded

the water pattern is fuller and lower. This effect is particularly interesting when there are strong wave movements; then the fountains really start to dance. In installations with a different water level, non-return valves should be provided, otherwise the water level will drop to injector height once the installation is switched off.

### Product characteristics at a glance

- Lively water effect
- Foam/spume effect
- Offers oxygen enrichment
- Adjusting flange for alignment
- Water pattern is water-level dependent



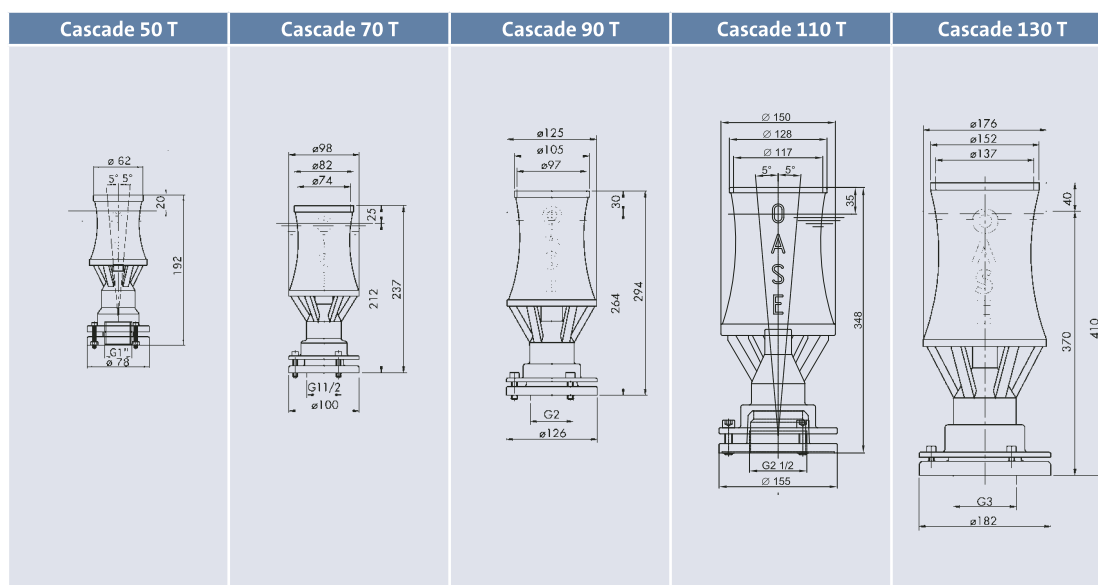
Cascade 50 T

Cascade 70 T

Cascade 90 T

Cascade 110 T

Cascade 130 T



		Cascade 50 T		Cascade 70 T		Cascade 90 T		Cascade 110 T		Cascade 130 T	
Dimensions (Ø x H mm)		78 x 192		100 x 237		125 x 294		149 x 346		176 x 410	
Fountain height		DWB	DDB	DWB	DDB	DWB	DDB	DWB	DDB	DWB	DDB
		l/min	bar	l/min	bar	l/min	bar	l/min	bar	l/min	bar
0.25	[m]	28	0.18								
0.50	[m]	34	0.26	79	0.27						
0.75	[m]	39	0.33	88	0.33	141	0.27				
1.00	[m]	43	0.41	97	0.40	157	0.33	236	0.36	379	0.36
1.50	[m]	51	0.57	111	0.53	184	0.46	279	0.48	437	0.48
2.00	[m]	58	0.73	124	0.66	208	0.58	317	0.60	488	0.60
2.50	[m]	69	1.04	136	0.79	229	0.71	351	0.72	534	0.72
3.00	[m]	74	1.20	147	0.92	249	0.83	382	0.84	577	0.84
4.00	[m]	79	1.36	166	1.18	284	1.08	437	1.07	654	1.07
5.00	[m]	88	1.68	184	1.44	315	1.34	486	1.34	723	1.34
6.00	[m]			200	1.71	344	1.59	531	1.55	786	1.55
7.00	[m]			215	1.97	370	1.85	572	1.79	845	1.79
8.00	[m]					395	2.10	611	2.04	900	2.04
10.00	[m]					441	2.61	682	2.52	1001	2.52
12.00	[m]							747	3.01	1094	3.01
14.00	[m]							806	3.50	1180	3.50
16.00	[m]									1260	3.99
18.00	[m]									1336	4.49
20.00	[m]									1408	4.99
Material		Tombac									
Weight	[kg]	1.6		2.4		3.6		7.0		11.0	
Order no. NPT		89051		89052		89053		89054		89055	
Order no.		50911		50912		50915		50916		50917	