



	Fresh Water	Pool Water	Sea Water	220-240 V	400 V	110-120 V	50 Hz	60 Hz	12 V AC	24 V DC	DMX	DMX/RDM	Plug and Spray
Rotating Nozzle	✓	✓	✓	✓	✓	✓	✓	✓	✓	✓	✓	✓	✓

ROTATING NOZZLE 5-15E AND 5-30E

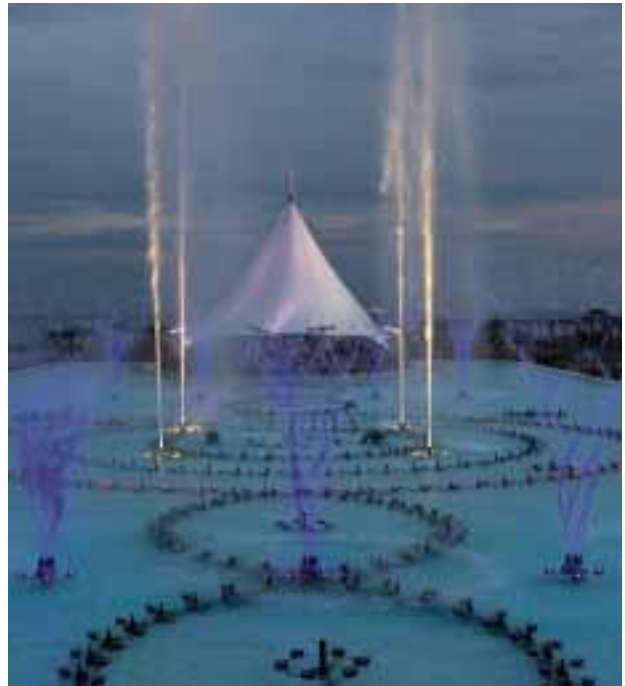
Gracefully dancing fountains optimally enliven any water landscape and reach heights of up to 10 metres.

Gentle rotating water patterns are generated by the recoil of the diagonally set nozzle pipes. With this rotating nozzle, 5 Comet nozzles that can be adjusted in all directions, rotate in a circle and creates a wide variety of wind-stable water pattern.

The ball bearing rotation mechanism ensures continuous trouble-free operation.

Product characteristics at a glance

- Rotating screw-shaped water pattern
- Precise full-jets
- Water-level independent



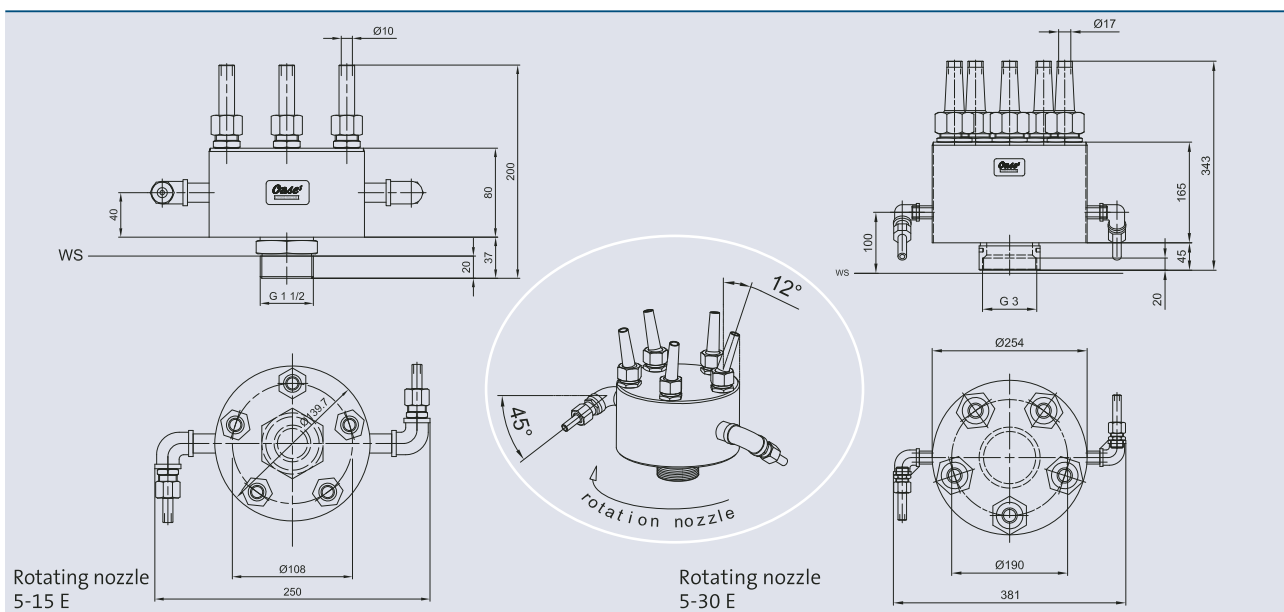
5-15 E



5-30 E



Accessories (must be ordered separately)	Order no.
Hexagon nipple 30 silver (see page 244)	51025
Adapter G 15 / NPT 15 (see page 244)	51027
Adapter G 30 / NPT 30 (see page 244)	51029



Rotating Nozzle 5-15 E				
Dimensions (L x W x H) [mm]		110 x 70 x 34		
Max. Fountain height	SPB [m]	DWB [l/min]	DDB [bar]	
1.00 [m]	2.0	141	0.25	
1.25 [m]	2.4	158	0.31	
1.50 [m]	3.1	173	0.38	
1.75 [m]	3.5	187	0.44	
2.00 [m]	4.0	199	0.50	
2.50 [m]	4.4	223	0.63	
3.00 [m]	5.0	244	0.76	
3.50 [m]	5.6	264	0.89	
4.00 [m]	6.0	282	1.01	
Material	Stainless steel / Double coated brass			
Weight [kg]	2.88			
Order no.	50967			

Rotating Nozzle 5-30 E				
Dimensions (L x W x H) [mm]		150 x 100 x 49		
Max. Fountain height	SPB [m]	DWB [l/min]	DDB [bar]	
1.00 [m]	var.	330	0.15	
2.00 [m]	var.	500	0.30	
3.00 [m]	var.	630	0.50	
4.00 [m]	var.	740	0.60	
5.00 [m]	var.	790	0.75	
6.00 [m]	var.	875	0.90	
7.00 [m]	var.	980	1.10	
8.00 [m]	var.	1050	1.30	
9.00 [m]	var.	1110	1.50	
10.00 [m]	var.	1170	1.60	
Material	Stainless steel / Double coated brass			
Weight [kg]	17.5			
Order no.	50473			