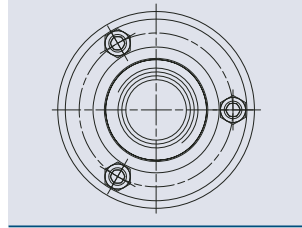
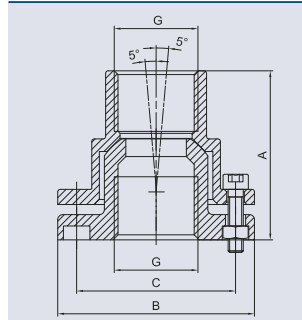


SWIVEL CONNECTION



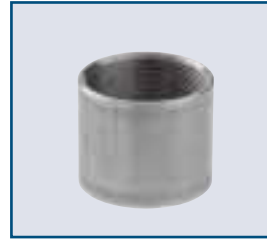
Product characteristics at a glance

- Adjustment for nozzles
- Silver optic
- Durable chrome and nickel plated brass



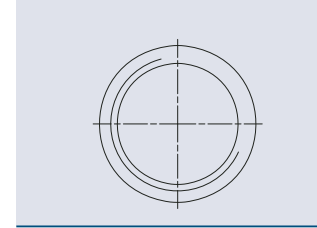
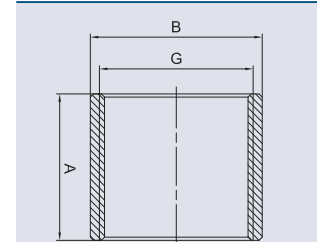
Swivel Connection silver		10	15	20
G	[inch]	1	1 ½	2
A	[mm]	70	75	88
B	[mm]	78	101	127
C	[mm]	63	80	104
Weight	[kg]	0.55	1.12	2.05
Order no.		51015	51016	51017

SLEEVE SILVER



Product characteristics at a glance

- Straight threading
- High-quality stainless steel



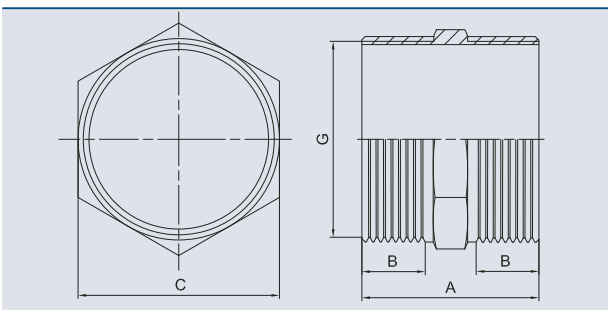
Sleeve Silver		10	15	20	30
A	[mm]	42.3	47.2	51.7	66.7
B	[mm]	38.0	53.5	66.0	95.0
G	[inch]	1	1 ½	2	3
Material		Stainless steel			
Weight	[kg]	0.09	0.16	0.25	0.63
Order no.		51018	51019	51020	51021

HEXAGON NIPPLE SILVER



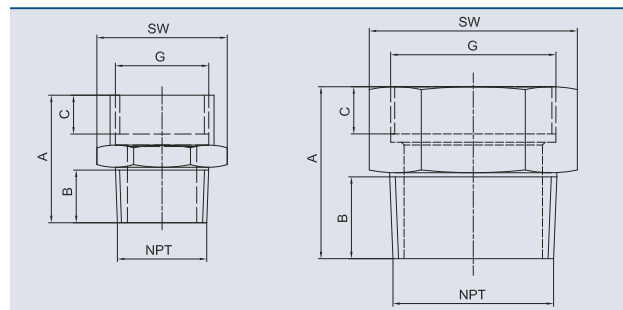
Product characteristics at a glance

- Straight threading
- High-quality stainless steel



Hexagon Nipple Silver		10	15	20	30
G	[inch]	1	1 ½	2	3
A	[mm]	49	51.5	54.5	68
B	[mm]	20.4	20.7	22	27.5
C	[mm]	35	50	62	91
Material		Stainless steel			
Weight	[kg]	0.065	0.20	0.40	0.51
Order no.		51022	51023	51024	51025

ADAPTER G/NPT



Adapter		G10/NPT10	G15/NPT15	G20/NPT20	G30/NPT30
A	[mm]	43.2	46	62	78
B	[mm]	21	21	29	37
C	[mm]	14	14	17	20
SW	[mm]	36	50	60	90
G	[inch]	1	1 ½	2	3
Weight	[kg]	0.145	0.55	1.12	2.05
Order no.		51026	51027	51028	51029