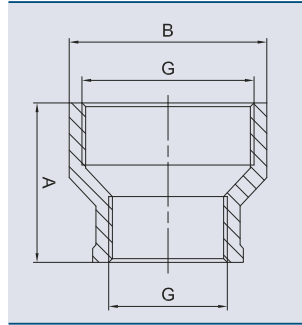


## REDUCING SLEEVE

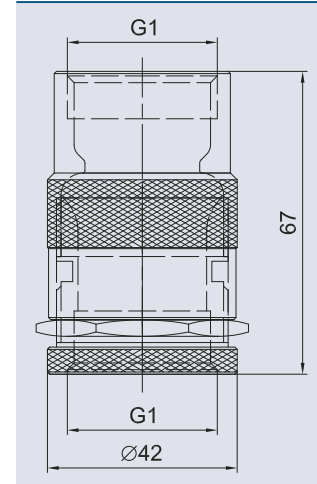


### Product characteristics at a glance

- High-quality stainless steel
- Straight threading

Reducing Sleeve		15 x 10	20 x 15
A	[mm]	50	59
B	[mm]	57	70
G	[inch]	1 ½ - 1	2 - 1 ½
Weight	[kg]	0.175	0.225
Order no.		51032	51030

## FLOW VALVE 10

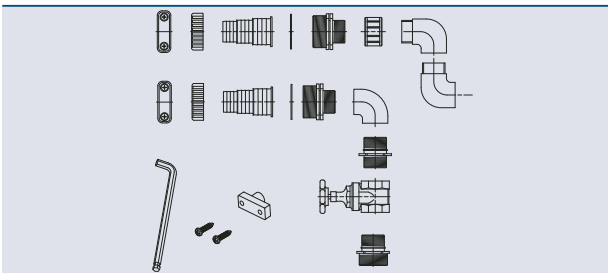


### Product characteristics at a glance

- Flow regulator
- Use below nozzle
- High-quality stainless steel
- Straight threading

Flow Valve 10		
Dimensions	[mm]	Ø 42 x 67
Material		Stainless steel
Weight	[kg]	0.3
Order no.		51033

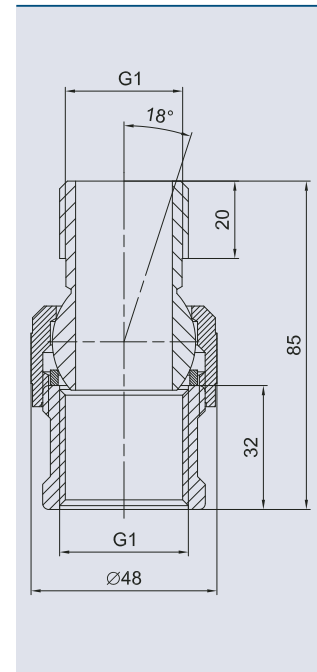
## JUMPING JET RAINBOW STAR INSTALLATION KIT



### Scope of delivery

Jumping Jet Rainbow Star Installation Kit		
2	Flat gasket hose tail 1 ½"	
2	Coupling nut 1 ½" 40–20	
2	Stepped hose tail 1 ½" black	
1	Bush plastic 1"	
1	Bracket 90° G1 I-I plastic	
1	"Hexagonal Nipple R1"	
2	Red. Nippel 1 ½" AG to 1" AG	
1	MS. shut off gate valve 1" 290	
2	Screws V2A DIN 7981, 4,8 x 25	
1	Gland seal Rainbow Star	
1	Hexagon screwdriver 5mm	
1	Flat gasket 53 x 48 x 1.5 mm NBR/SBR 70Sh	
2	Elbow 90° G1 I-A plastic	
2	Hose clamp 20 – 32 mm	
2	Hose clamp 35 – 50 mm 1.4301	
1	Coupling nut 1 ½" 40–20	
1	1 Bush plastic 1"	
Weight	[kg]	0.84
Order no.		51058

## SWIVEL BALL JOINT 10



### Product characteristics at a glance

- Adjustment for nozzles
- Straight threading
- Durable chrome and nickel plated brass

Swivel ball joint 10		
Dimensions	[mm]	Ø 48 x 85
Material		Nickel plated brass
Weight	[kg]	0.37
Order no.		51165