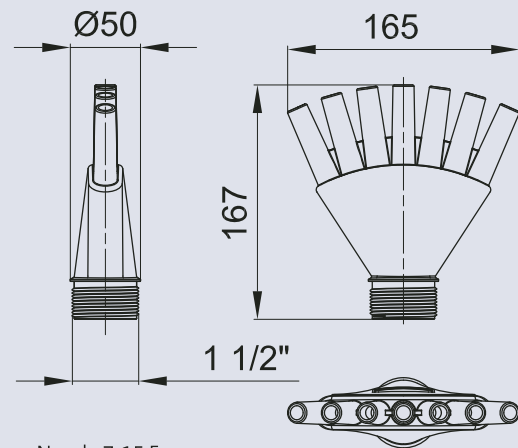




Finger Nozzle 7-15 E



Finger Nozzle 7-15 E

	Fresh Water	Pool Water	Sea Water	220-240 V	400 V	110-120 V	50 Hz	60 Hz	12 V AC	24 V DC	DMX	DMX/RDM	Plug and Spray
Finger Nozzle 7-15 E													

## FINGER NOZZLE 7-15 E

The Finger Nozzle 7-15 E generates seven clear single stream jets.

This stainless steel multi-jet nozzle is suitable for fresh water, pool water and sea water application. The water-level-independent and to a large extent wind stable water jets achieve a max. fountain height of 4 mtrs. Breathtaking and dynamic water patterns can be generated by combining the Finger Nozzle 7-15 E with the Multi Directional Drive II 3D/DMX/02 (51225).

### Product characteristics at a glance

- 7 jet-fountain nozzle
- 10 mm jet diameter
- Wind-stable full jet
- Water level-independent

Accessories (must be ordered separately)	Order no.
Swivel connection 15 silver (see page 244)	51016
Sleeve 15 silver (see page 244)	51019
Adapter G 15 / NPT 15 (see page 244)	51027
Reducing sleeve 15 x 10 (see page 245)	51032
Reducing sleeve 20 x 15 (see page 245)	51030

Finger Nozzle 7-15 E			
Dimensions (L x W x H mm)	167 x 166 x 50		
Fountain height	DSD	DWB	DDB
	[m]	[l/min]	[bar]
1.00	[m]	2.70	150
2.00	[m]	4.70	200
3.00	[m]	5.20	250
4.00	[m]	7.40	300

DSD = Nozzle spray diameter DWB = Nozzle water demand  
DDB = Nozzle pressure demand

Finger Nozzle 7-15 E		
Dimensions (L x H)	[mm]	167 x 166 x 50
outlet orifice	[mm]	7 x 10
inlet diameter	[inch]	1½
Water jet height up to	[m]	4
Material	Stainless steel 1.4404 (AISI 316L)	
Weight	[kg]	1.6
Order no.	51110	