



	Fresh Water	Pool Water	Sea Water	220-240 V	400 V	110-120 V	50 Hz	60 Hz	12 V AC	24 V DC	DMX	DMX/RDM	Plug and Spray
Overflow wall-installation													

OVERFLOW WALL-INSTALLATION COMBINATION ARMATURE

This is a three-in-one armature: It is an inlet armature, overflow armature, and at the same time it controls the water level – if equipped with an additional water level sensor.

The combination armature is preferably installed in the side pool wall below the pool edge cover. Installation is simple, the overflow duct fits into

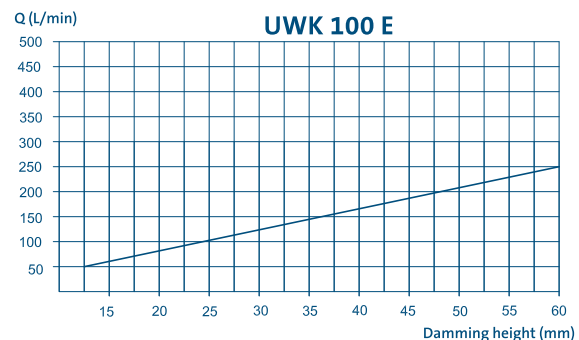
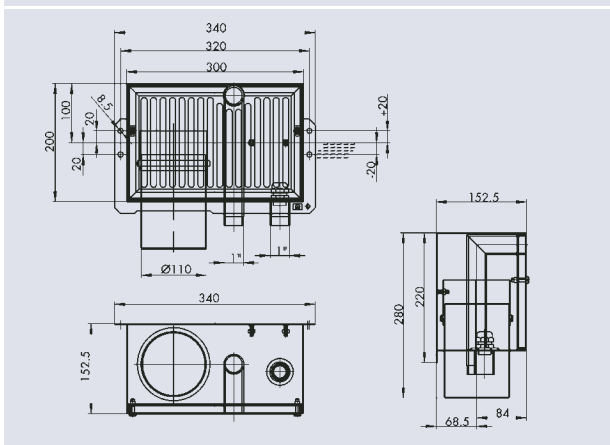
the muff of the channel pipe. The fresh water feed pipe and the connection of the cable protection pipe for the water level sensor are connected to the appropriate threaded nipple via PE pipe unions. The overflow funnel can be pushed up or pushed down 20 mm to adjust to the water level.

Product characteristics at a glance

- Elegant combination of freshwater inlet and pool overflow
- Installation possibility for water-level sensor
- Water level can be corrected +/- 20 mm retroactively
- Completely made of stainless steel



Overflow wall-installation combination armature



Overflow wall-installation combination armature 100 E

Dimensions (L x W x H)	[mm]	340 x 271 x 153
For pools with liner		no
Connection	[DN/inch]	100/1
Material		Stainless steel 1.4571 (AISI 316Ti)
Weight	[kg]	6.1
Order no.		51120