

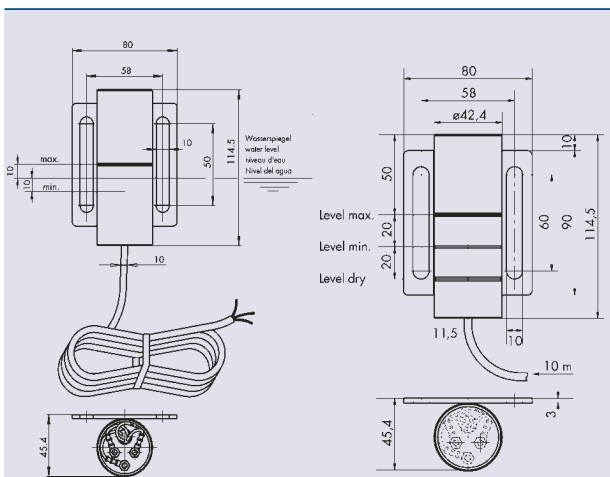


	Fresh Water	Pool Water	Sea Water	220-240 V	400 V	110-120 V	50 Hz	60 Hz	12 V AC	24 V DC	DMX	DMX/RDM	Plug and Spray
Water-Level Sensor	✓	✓	✓	✓	✓	✓	✓	✓	✓	✓	✓	✓	✓
Supplemental electrode	✓	✓	✓	✓	✓	✓	✓	✓	✓	✓	✓	✓	✓

WATER-LEVEL SENSORS 20-3, 20-4 AND 2000-3/5

OASE water-level sensors ensure reliable control of the water level and thus prevent the pool from overflowing.

The Water-Level Sensor 2000-3/5 is designed for greater level differences of approximately 50 to 2000 mm, such as occur in water reservoirs.

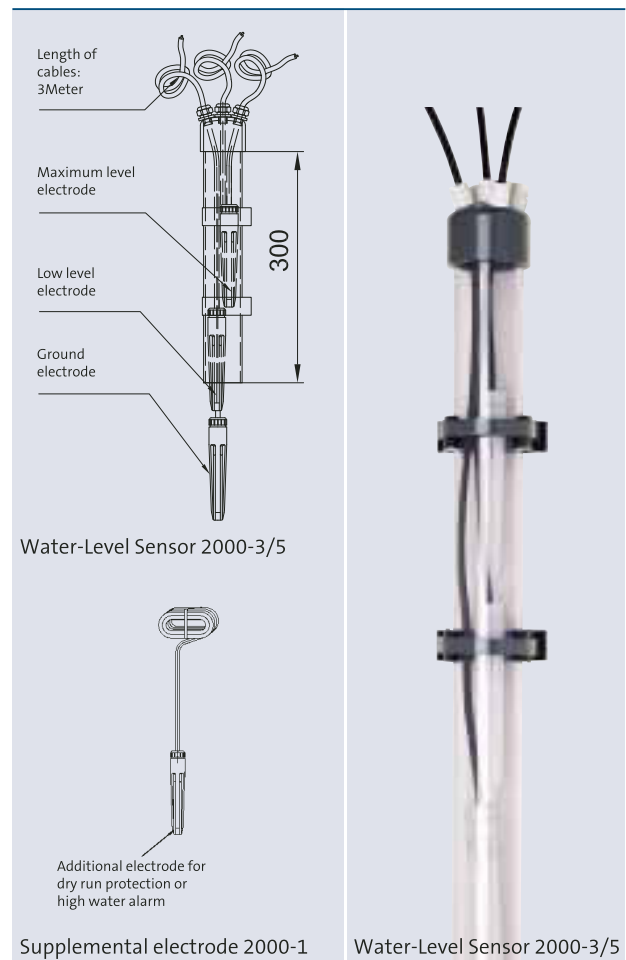


Water-Level Sensor 20-3

Water-Level Sensor 20-4



Water-Level Sensor 20-3



Water-Level Sensor 2000-3/5

Supplemental electrode 2000-1

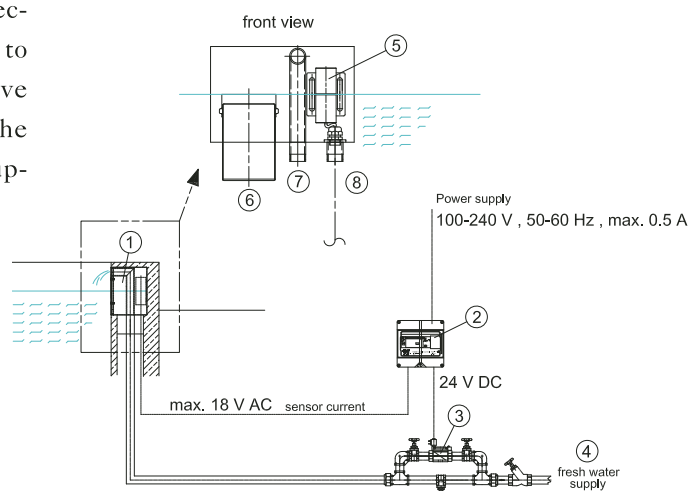
Water-Level Sensor 2000-3/5

The stainless steel housings of the Water-Level Sensor 20-3 and 20-4 also take on the function of the common electrode. The minimum and maximum electrodes are in the housing. The permanently set level difference is 20 mm. In addition the 20-4 has a dry-run protection electrode.

It can be retrofitted with a dry run protection electrode. The electrodes can be adjusted according to the level differences via the cable length. They give switch on and switch off commands to regulate the water level or to protect the pump technology (Supplemental electrode 2000-1).

Product characteristics at a glance

- For automatic infeed and top-up feed of freshwater if the water level drops
- With dry-run protection and alarm function
- Compensates different water levels
- Robust and reliable technology
- Safe operation



- ① 51120 Overfl. wall-inst. comb. armature 100 E
- ② 51554 Electronic water level control 1
- ③ 51557 Solenoid valve 1" 24 V
- ④ fresh water supply
- ⑤ 51559 Water level sensor WSS 20-3
- ⑥ overflow pipe
- ⑦ fresh water inlet in fountain pool
- ⑧ protective pipe for water level sensor cable

Accessories (must be ordered separately)

Electronic water level control 1 (see page 184)	51554
Electronic water level control 2 (see page 184)	55846
Solenoid valve ½ 24 V (see page 184)	51556
Solenoid valve 1 24 V (see page 184)	51557

		Water-Level Sensor 20-3	Water-Level Sensor 20-4
Dimensions (L x W x H)	[mm]	115 x 80 x 46	115 x 80 x 46
Housing		Stainless steel	Stainless steel
Protection class		IP 68	IP 68
Electrodes		3	4
Common		1	1
Minimum		1	1
Maximum		1	1
Dry-run		-	1
Level difference	[mm]	20	20
Cable length	[m]	10.0	10.0
Weight	[kg]	2.2	2.3
Order no.		51559	53918

		Water-Level Sensor 2000-3/5	Supplemental electrode 2000 -1
Dimensions (L x W x H)	[mm]	315 x 135 x 150	150 x 125 x 75
Housing		plastic	plastic
Protection class		IP 68	IP 68
Electrodes		3	1
Common		1	-
Minimum		1	-
Maximum		1	-
Dry-run		-	1
Level difference	[mm]	max. 2500	max. 2500
Cable length	[m]	3.0	3.0
Weight	[kg]	2.5	0.3
Order no.		55845	55843