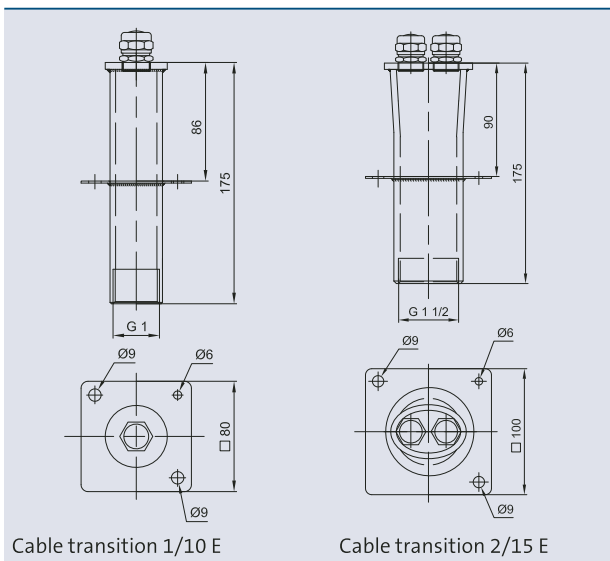




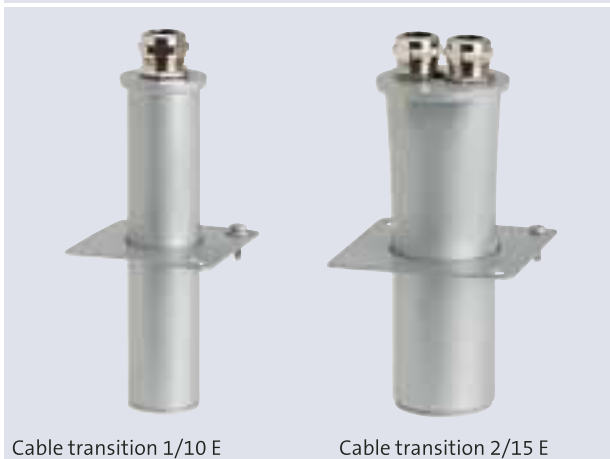
	Fresh Water	Pool Water	Sea Water	220-240 V	400 V	110-120 V	50 Hz	60 Hz	12 V AC	24 V DC	DMX	DMX/RDM	Plug and Spray
Cable transition													

CABLE TRANSITION KD 1/10 E AND KD 2/15 E CABLE TRANSITION KD 4/70 T, KD 7/100 T AND KD 12/100T



Cable transition 1/10 E

Cable transition 2/15 E



Cable transition 1/10 E

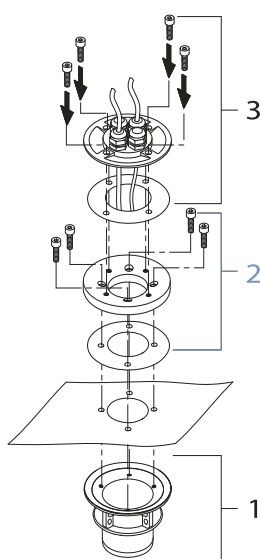
Cable transition 2/15 E

Electrical cables are routed under the water surface in all types of pools via cable transition armatures, in a manner that keeps cable transitions waterproof and invisible.

Product characteristics at a glance

- Elegant and professional connection to cable protection pipes
- Water-tight cable transitions through concrete basins
- Some units are suitable for liner
- Plug connection for connecting to the KG channel pipe or ED house installation pipe

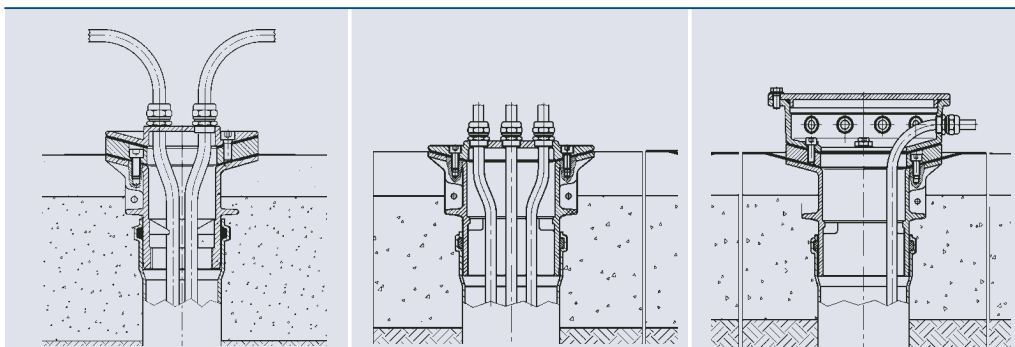
Cable transition		1/10 E	2/15 E
Dimensions (W x H)	[mm]	80 x 175	100 x 175
Number of cable connections		1	2
Suitable for cable diameter	[mm]	7 – 14	7 – 14
Connections	[inch]	1	1½
Material		Stainless steel 1.4571 (AISI 316Ti)	
Weight	[kg]	0.6	0.9
Order no.		51741	51740



1 The concrete part is the basis of every configuration. Available for DN 70 and/or DN 100 pipes.

2 The clamping flange for fastening with or without liner. Products without cable transitions are listed on page 232 ff.

3 Depending on the requirement a decision is made at this point concerning the specific implementation: Plug, sieve, overflow or level regulator.



3			
	Cable transition 4/70 T	Cable transition 7/100 T	Cable transition 12/100 T
Dimensions (ø x H) [mm]	150 x 50	190 x 50	230 x 70
Designation	cable transition	cable transition	cable transition
Number of cable connections	4	7	12
DN	70	100	100
Material	Tombac	Tombac	Tombac
Weight [kg]	1.1	1.9	5.5
Order no.	57470	57464	57465

2 (optional)		
	Liner clamping flange 70 T KD	Liner clamping flange 100 T KD
Dimensions (ø x H) [mm]	148 x 27	188 x 27
Designation	liner clamping flange KD	liner clamping flange KD
DN	70	100
Material	Tombac	Tombac
Weight [kg]	2.0	2.9
Order no.	57473	57474

1		
	Concrete part 70 T	Concrete part 100 T
Dimensions (ø x H) [mm]	70 x 110	100 x 141
Designation	concrete part	concrete part
DN [mm] / [inch]	70 / 2"	100
Material	Tombac	Tombac
Weight [kg]	2.1	3.2
Order no.	57471	57467

Please follow the international and local norm