



	Fresh Water	Pool Water	Sea Water	220-240 V	400 V	110-120 V	50 Hz	60 Hz	12 V AC	24 V DC	DMX	DMX/RDM	Plug and Spray
ProfiLux LED Spot 1500	✓	✓	✓	✓	✓	✓	✓	✓	✓	✓	✓	✓	✓

PROFILUX LED SPOT 1500/DMX/02

The new ProfiLux LED Spot 1500/DMX/02, with 1345 lumen and a narrow beam angle of 11° for higher fountains, the most powerful RGBW-LED (spot) light.

The LED-spot-light has a high quality stainless steel housing and is suitable for fresh water, pool water and sea water application (for definition see page 246). Equipped with a temperature control and a thermal protection, the LED light can also be installed dry. The lifetime of these lights is up to 100,000 h.*

The Spot has a waterproof hybrid (voltage/data) connector. With the underwater LED Driver/DMX/02 (50720) (not in scope of supply) the

ProfiLux LED light can be controlled via DMX. The basic colours of the LED-RGBW-lights are measured individually for their brightness. The LED-Driver ensures equal brightness for all lights in the system, thereby creating a homogeneous colour combination.

Product characteristics at a glance

- Energy efficient LED-RGBW-light with mounting bracket and fine adjustment.
- 1263 Lumen with a narrow beam angle of 11°, max. 31.8 Watt
- Temperature controlled high quality LED for an extra-long life of up to 100,000 h.*
- Wet and dry installation – water proof in accordance with IP68
- For fresh water, pool water and sea water
- External electronic in a separate control box / junction box – waterproof connector, easy to connect.
- DMX/RDM-capable in combination with the Underwater LED Driver/DMX/02 (50720)
- Individual measurement of the basic colours of the LED-RGBW lights and the use of the Underwater LED Driver/DMX/02 (50720) guarantees equal brightness of all lights in the system and a homogeneous colour combination.
- Galvanic isolation between the DMX and 24V DC power
- Stroboscope effect, synchronised via DMX

*In case of underwater application, an intelligent heat management and quality LED enables a lifetime up to 100.000 hrs. This claim does not entitle to a guarantee.



ProfiLux LED Spot 1500/DMX/02

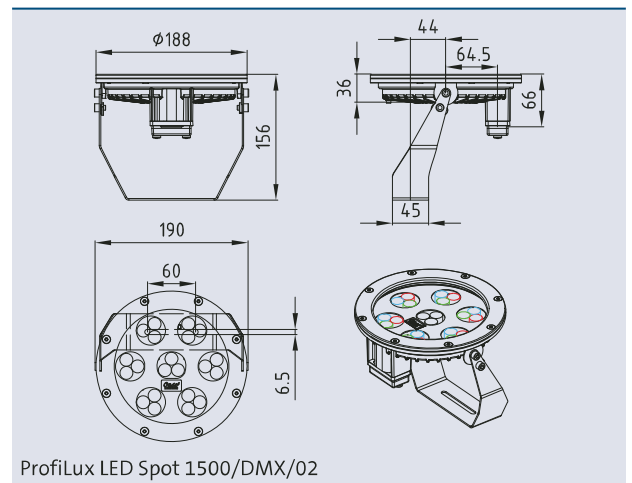
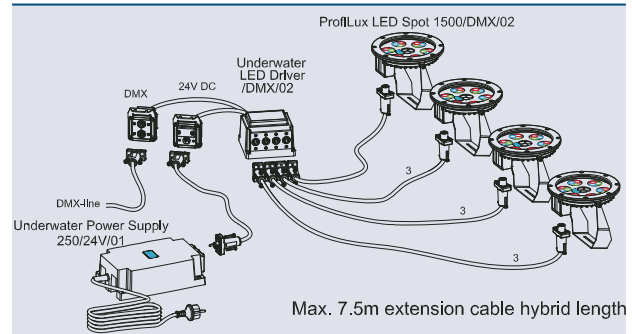
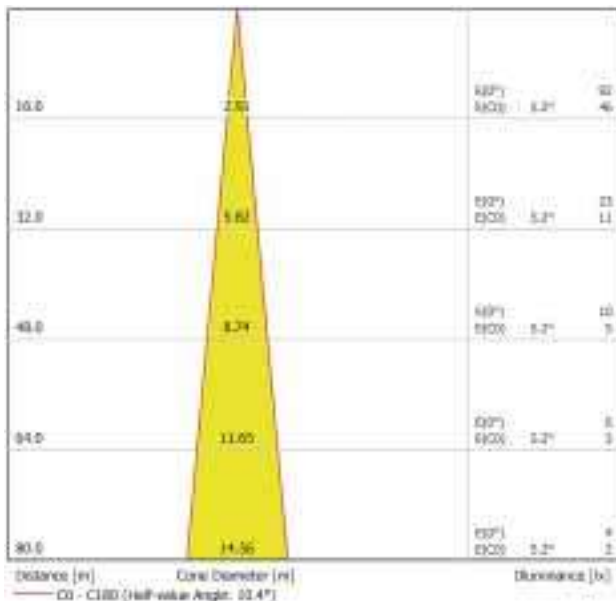
The variety of colour compositions reveal their full effect in combination with dynamic water effects which can be generated for eg. with the Vario-Switch, the AirNozzle or the Varionaut pumps. Together, they create completely new compositions on open spaces and in fountains.

The Underwater LED Driver/DMX/02 (see page 166) is required for a DMX/RDM-capable application of the ProfiLux LED Spot. In addition a RDM-capable controller like WECS II (WECS II 512, WECS II 1024 or WECS II 2048, see page 174-182) is also needed.

The ProfiLux-LED-Spot has a hybrid socket connection. The Underwater LED Driver/DMX/02 is connected to the ProfiLux LED Spot with a 3.0 mtr. or a 7.5 mtr. Hybrid-Extension cable (not in scope of supply) (see page 164). Up

to 4 LEDs can be individually controlled with this external Underwater LED-Driver.

The Underwater LED Driver/DMX/02 is equipped with two connection boxes – one for the power supply with 24V DC and the other one for a DMX/RDM-data cable. The special connection technology makes a watertight pluggable cabling possible.



DMX-Channel	Function
Channel 1	red
Channel 2	green
Channel 3	blue
Channel 4	white
Channel 5	strobe

ProfiLux LED Spot 1500/ DMX/02		
Luminous flux all on	[lm]	1263
Luminous flux red	[lm]	284
Luminous flux green	[lm]	509
Luminous flux blue	[lm]	156
Luminous flux white	[lm]	313
Colour temperature LED white	[K]	4000 (± 200)
Colour Rendering Index (CRI)	[%]	80
Beam angle	[°]	11 (± 2)
Strobe effect	[Hz]	0-25
Energy efficiency category		A
Weighted energy consumption [kWh/1000h]		35
Rated voltage	[V/DC]	24
Power consumption	[W]	32
Rated current	[A]	1.4
Dim frequency	[Hz]	2800
Power connection type		Hybrid socket
Protection class		IP 68
Dimensions (Ø x h)	[mm]	188 x 156
Material		Stainless steel 1.4404 (AISI 316L)
Weight	[kg]	2.75
Order no.		56388

Accessories (must be ordered separately)

Extension cable hybrid / 3.0 m (see page 164)	50728
Extension cable hybrid / 7.5 m (see page 164)	56403
Underwater LED Driver (see page 166)	50720
Lamp Holder (see page 150)	50786
Freestand Light (see page 149)	50978
Connecting cable DMX/01 (see page 162)	Order no.
Connecting cable DMX/1.0 m/01	12368
Connecting cable DMX/3.0 m/01	12369
Connecting cable DMX/5.0 m/01	12371
Connecting cable DMX/10.0 m/01	12372
Connecting cable DMX/20.0 m/01	12373
End Resistant for Bus-System DMX/01	12007
Connecting cable 24V DC/01 (see page 160)	Order no.
Connecting cable 24V DC /1.0 m/01	12762
Connecting cable 24V DC /3.0 m/01	12552
Connecting cable 24V DC /7.5 m/01	12553
Connecting cable 24V DC /15.0 m/01	11720
PowerBox 24 V DC / 01 (see page 160)	50493
Underwater power supply 250 / 24 V / 01 (see page 170)	50733
WECS II 512 / DMX/02 (see page 174)	56491
WECS II 1024 / DMX/02 (see page 174)	56492
WECS II 2048 / DMX/02 (see page 180)	56507