



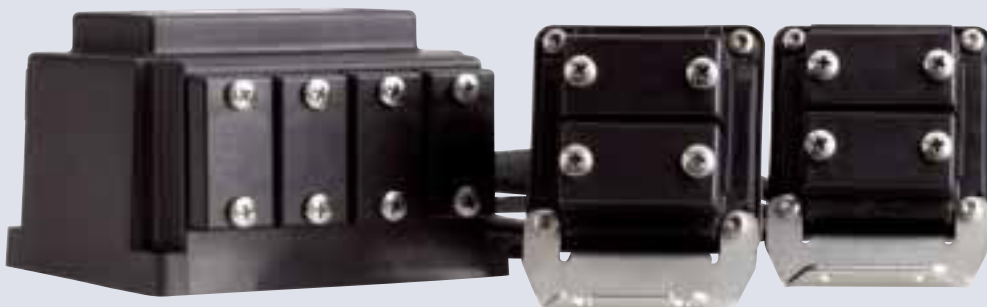
	Fresh Water	Pool Water	Sea Water	220-240 V	400 V	110-120 V	50 Hz	60 Hz	12 V AC	24 V DC	DMX	DMX/RDM	Plug and Spray
Underwater Switch 24V	✓	✓	✓	✓	✓	✓	✓	✓	✓	✓	✓	✓	✓

UNDERWATER SWITCH 24V / DMX / 02

The Underwater Switch 24V / DMX / 02 is a 24 V DC underwater switch to control all monochrome 24 V DC LED lights, 24 V DC halogen lights and AirNozzles for max. 4 devices. The DMX-RDM capable Underwater Switch 24 V DC / DMX / 02 enables a reduction of the system costs by up to 50 %. Due to the 24 volt-age IP 68 plug connection the device can be installed quickly and easily.

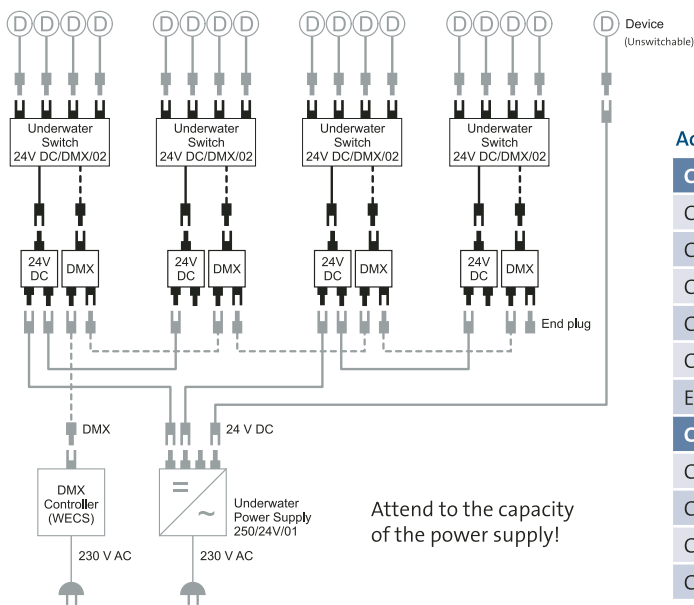
Product characteristics at a glance

- 24 V DC Underwater Switch for:
 - Air Nozzle 24 V DC
 - All monochrome 24 V DC LED lights
 - 24 V DC halogen lights
- Input: 1 x 24 V DC; 1 x DMX-RDM
- Output: 4 x 24 V DC switchable
- All 4 slots are freely programmable (on/off)
- Protection class: IP 68
- Suitable for operation in sea water
- With patented underwater connection technology



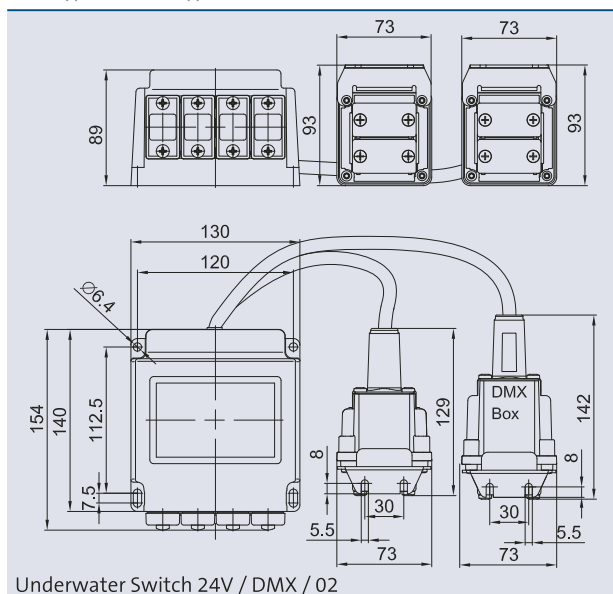
Underwater Switch 24V / DMX / 02





Accessories (must be ordered separately)

Connecting cable DMX/01 (see page 162)	Order no.
Connecting cable DMX/1.0 m/01	12368
Connecting cable DMX/3.0 m/01	12369
Connecting cable DMX/5.0 m/01	12371
Connecting cable DMX/10.0 m/01	12372
Connecting cable DMX/20.0 m/01	12373
End Resistant for Bus-System DMX/01	12007
Connecting cable 24V DC/01 (see page 160)	Order no.
Connecting cable 24V DC /1.0 m/01	12762
Connecting cable 24V DC /3.0 m/01	12552
Connecting cable 24V DC /7.5 m/01	12553
Connecting cable 24V DC /15.0 m/01	11720
Underwater power supply 250 / 24 V / 01 (see page 170)	50733
WECS II 512 / DMX/02 (see page 174)	56491
WECS II 1024 / DMX/02 (see page 174)	56492
WECS II 2048 / DMX/02 (see page 180)	56507



Underwater Switch 24V / DMX / 02	
Dimensions (L x W x H)	[mm] 154 x 130 x 89
Nominal input voltage	[V/DC] 24
Max. input current (depends on the connected sec. device type)	[A] 10.5
Secondary voltage	[V/DC] 4 x 24
Max. secondary current	[A] 4 x up to 2.5 A / slot switchable
Protection class	IP 68
DMX Connection	1.0 m with Box
Power Connection	1.0 m with Box
Weight	[kg] 2.9
Order no.	56411