



	Fresh Water	Pool Water	Sea Water	220-240 V	400 V	110-120 V	50 Hz	60 Hz	12 V AC	24 V DC	DMX	DMX/RDM	Plug and Spray
Overflow/drain armatures													

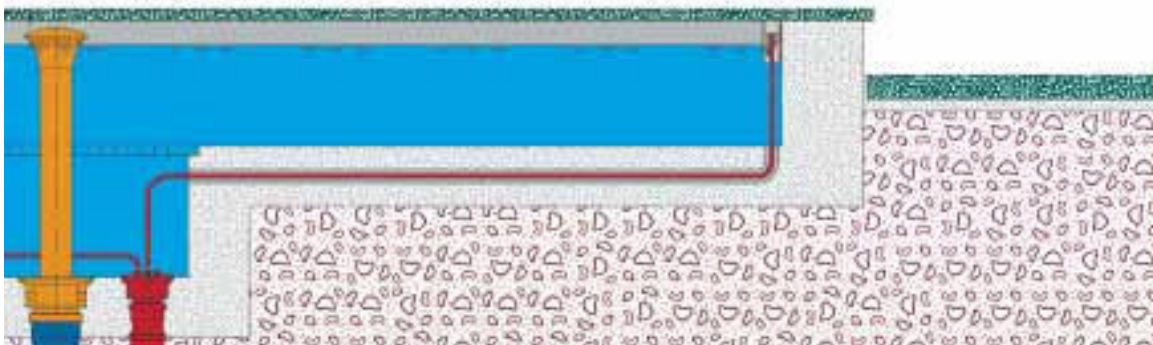
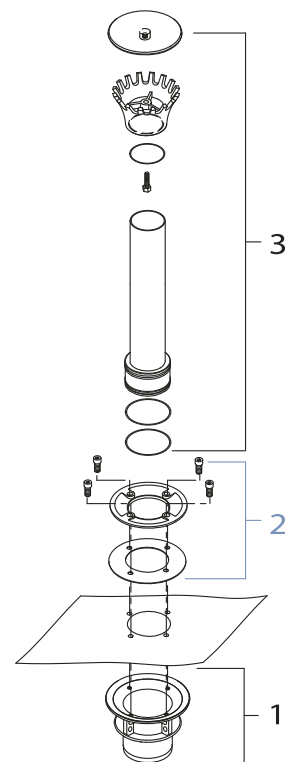
OVERFLOW / DRAIN ARMATURES

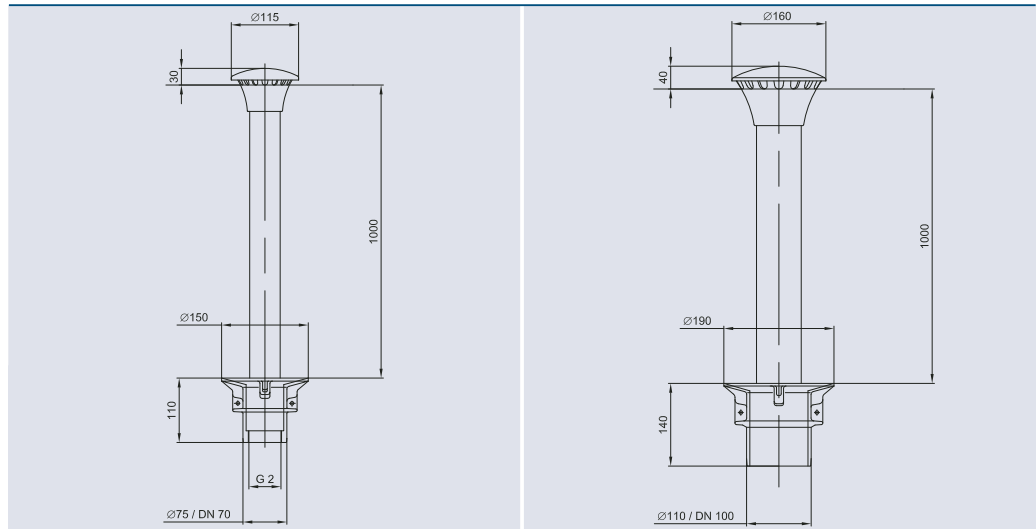
The optimal combination of overflow and drain: An overflow pipe inserted in the drain discharges excess water from filled pools. It is simply pulled out to empty the pool.

The overflow pipe with overflow crown has a standard length of 1000 mm, however it can be shortened to adapt to a lower water level. A debris/winter sieve can also be ordered for protection against coarse debris (see page 232).

Product characteristics at a glance

- Optimal combination of overflow and drain
- Easy installation
- For water levels from 0 to 1000 mm
- Stainless steel standpipe
- Cast parts are made of corrosion-resistant tombac alloy





<h1>3</h1>		
	Overflow/drain armature 70 / 1000 T	Overflow/drain armature 100 / 1000 T
Dimensions (ø x H) [mm]	115 x 1054	160 x 1108
Designation	overflow / drain armature	overflow / drain armature
DN	70	100
Material	Tombac / stainless steel	Tombac / stainless steel
Weight [kg]	3.2	7.2
Order no.	57469	57463
<h1>2</h1> (optional)		
	Liner clamping flange 70 T	Liner clamping flange 100 T
Dimensions (ø x H) [mm]	148 x 14	188 x 16
Designation	liner clamping flange	liner clamping flange
DN	70	100
Material	Tombac	Tombac
Weight [kg]	0.9	1.1
Order no.	51108	51117
<h1>1</h1>		
	Concrete part 70 T	Concrete part 100 T
Dimensions (ø x H) [mm]	70 x 110	100 x 141
Designation	concrete part	concrete part
DN [mm] / [inch]	70 / 2"	100
Material	Tombac	Tombac
Weight [kg]	2.1	3.2
Order no.	57471	57467