



	Fresh Water	Pool Water	Sea Water	220-240 V	400 V	110-120 V	50 Hz	60 Hz	12 V AC	24 V DC	DMX	DMX/RDM	Plug and Spray
Water Screen Nozzle	✓	✓	✓*	✓	✓	✓	✓	✓	✓	✓	✓	✓	✓

*Seawater product version on request

WATER SCREEN NOZZLE

The Water Screen Nozzle generates a projection screen made of water to display. It can be used a variety of media including Video and Lasers for special events.

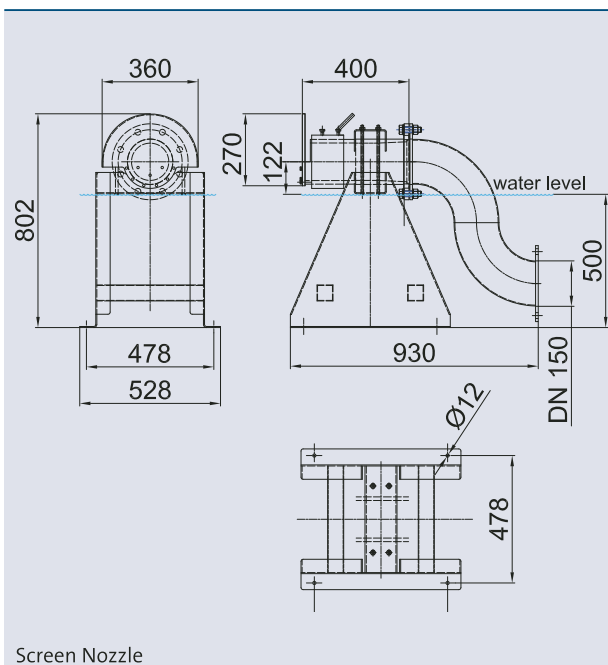
The screen is a complete semi-circle with 180° in different heights as a function of flow rate and pressure delivered by the pump system.

Product characteristics at a glance

- Optimized nozzles for a 180° water screen
- Ideal for rear projection of videos and or lasers
- An extra flow regulation pipe is not necessary
- The gap of the nozzle defining the water film thickness can install individually



Screen Nozzle



The nozzle creates a filmy water screen. This qualifies for projection of Laser, Video, Slide and Gobo (Graphical optical blackout) type of illumination. Based on the law of physics of light, the position of the nozzle should always be between the viewer and projector.

Pump on request. Small Screen Nozzle 15 x 5 version on request.

		Screen nozzle 30 x 10	Screen nozzle 45 x 15
Water Screen Dimension	[m]	30 x 10	45 x 15
Dimensions (L x W x H)	[mm]	930 x 528 x 802	930 x 528 x 802
DWB	[l/min]	2500	4000
DDB	[bar]	7	12
Material		Stainless steel	
Weight with bracket	[ap.kg]	95	95
Order no.		58970	58970