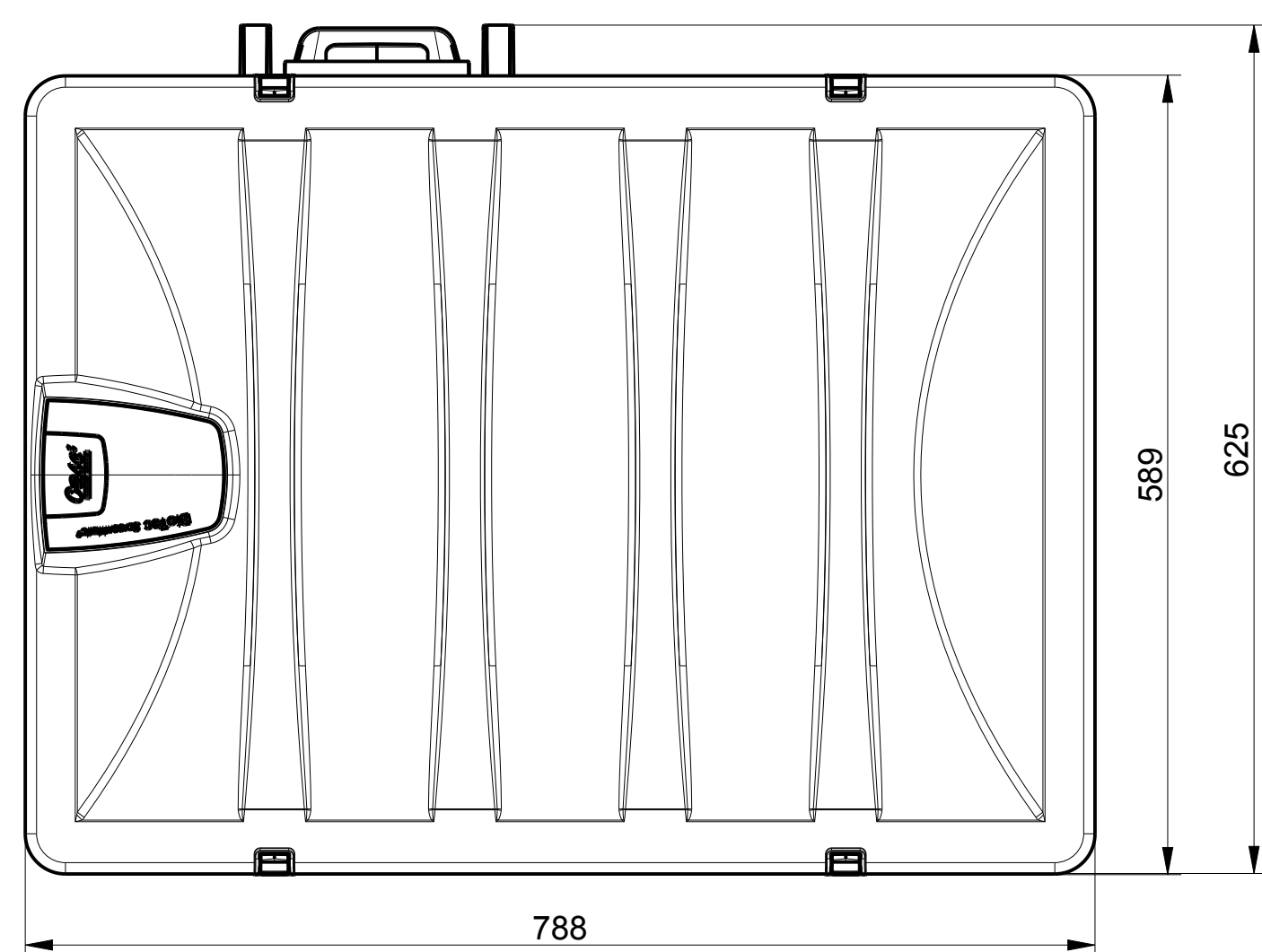
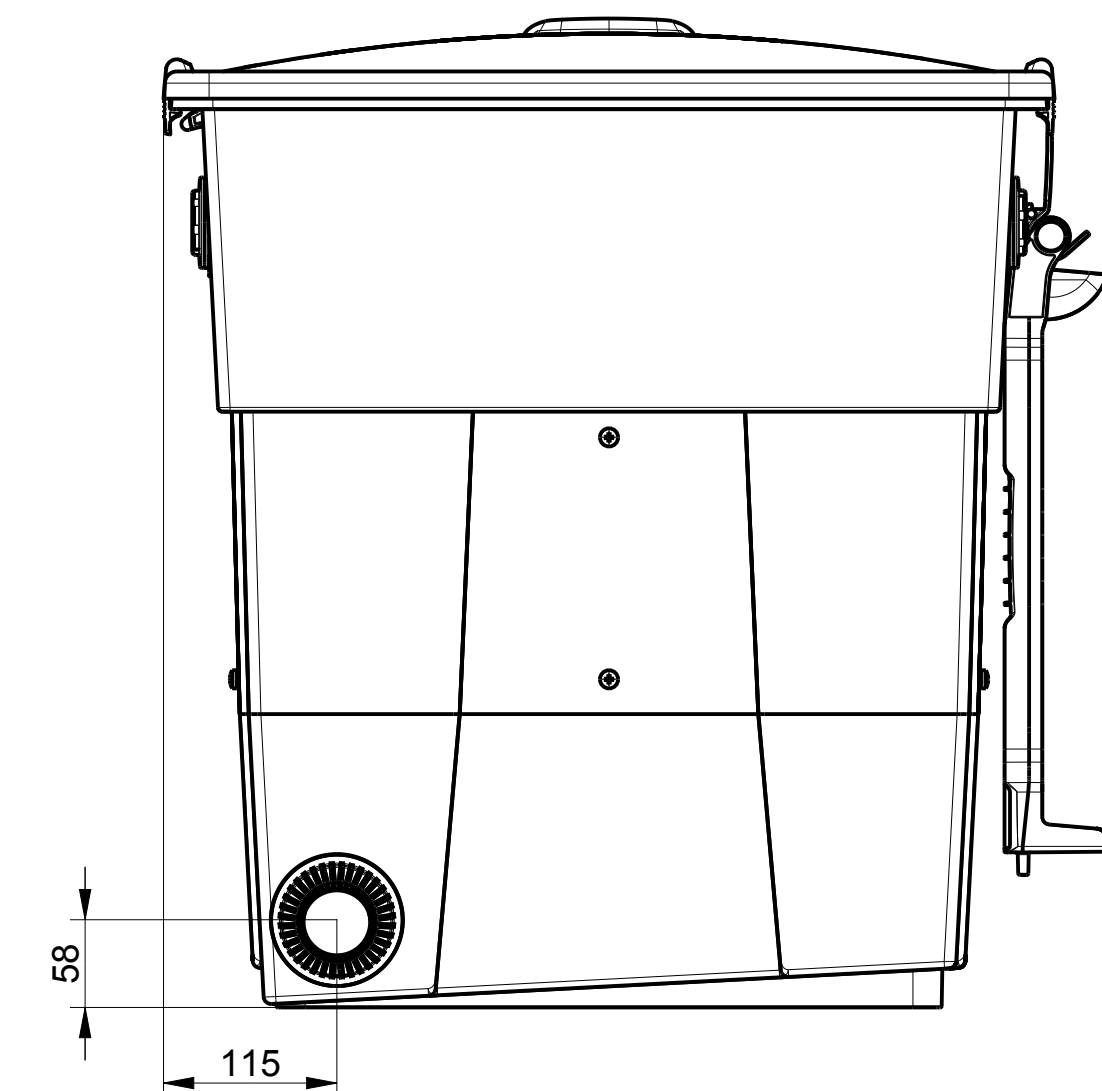
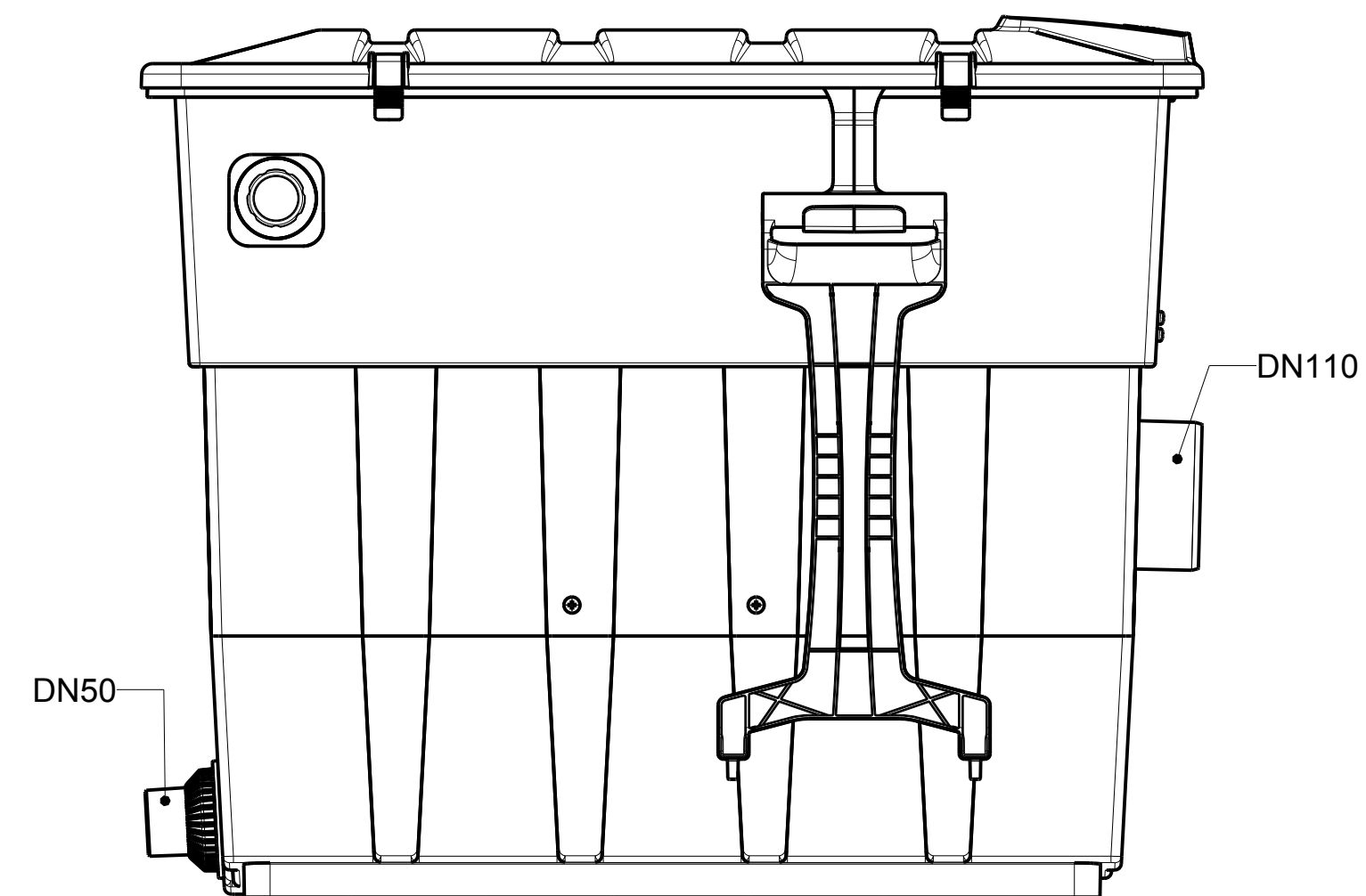
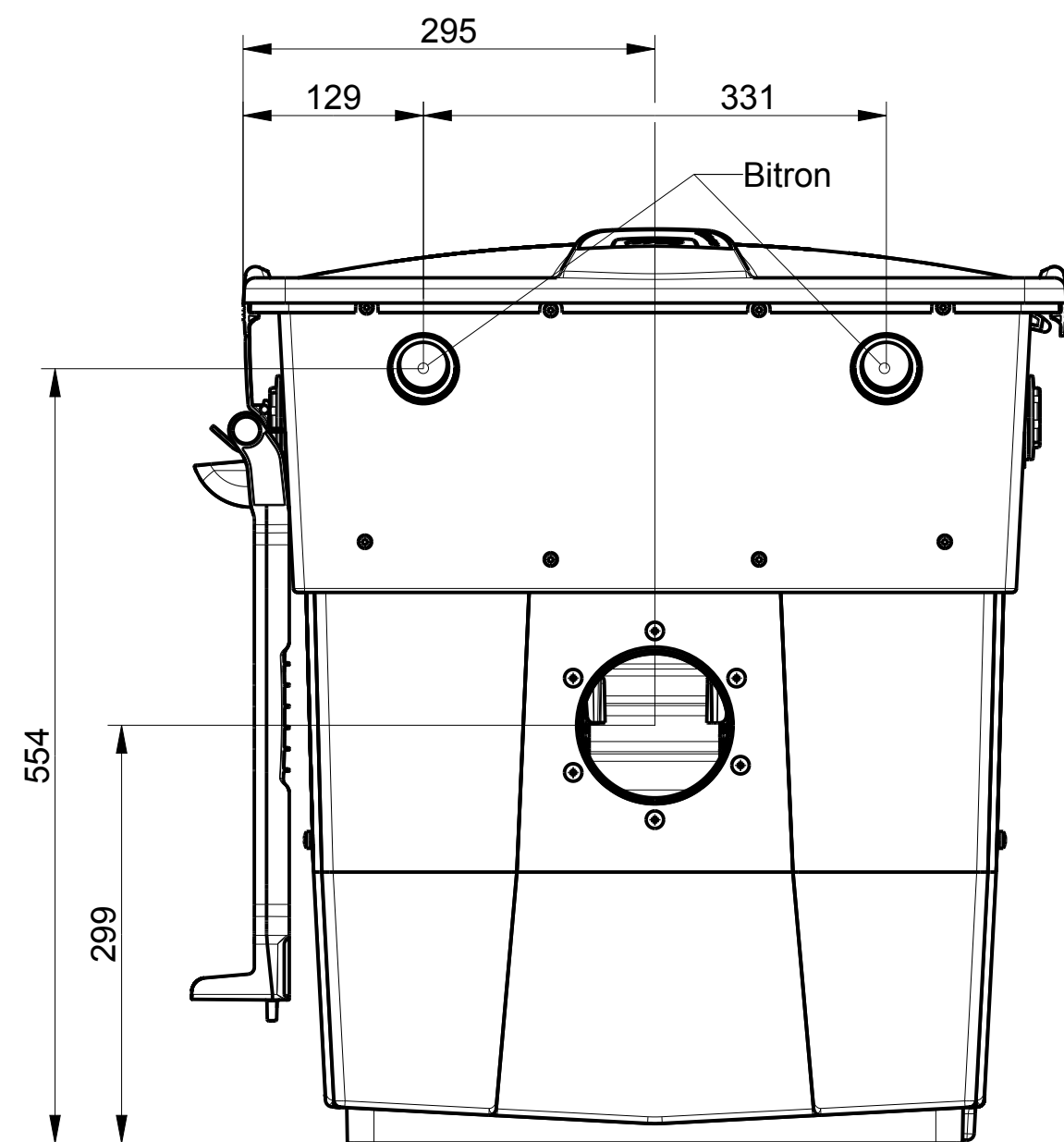
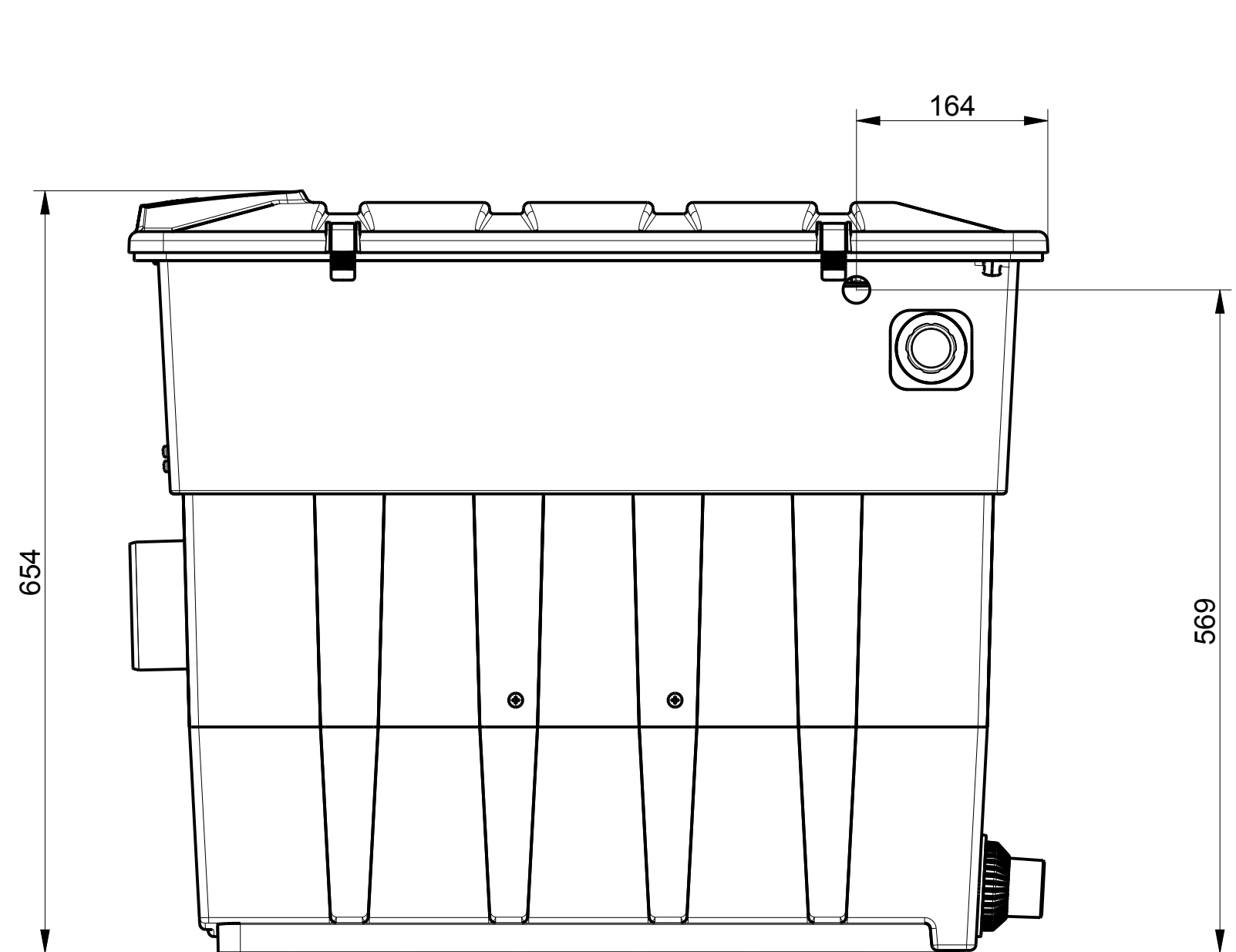


Scale:
1:5



Project:	RD-2018-0017	DIN A1	OASE GmbH Tecklenburger Str. 161 48477 Hörstel, Germany Tel.: +49(0)5454/80-0
Date:	23.02.2018		
Agent:	A. Rose		
Id.No.	Description D	Description E	
46178	BioTec ScreenMatic ² 90000	BioTec ScreenMatic ² 90000	
COPYRIGHT ACCORDING TO DIN 34/ISO 16016			
DIS: 10000051074			