



	Fresh Water	Pool Water	Sea Water	220-240 V	400 V	110-120 V	50 Hz	60 Hz
Sandfilter D 600	✓	✓	✓	✓	✓	✓	✓	✓
Sandfilter D 800	✓	✓	✓	✓	✓	✓	✓	✓
Backwash Automatic Eurotronik	✓	✓	✓	✓	✓	✓	✓	✓

SANDFILTER D600 / D800

Efficient water filtration significantly extends the interval between necessary cleaning tasks in spray fountains, ponds, and other systems.

Product characteristics at a glance

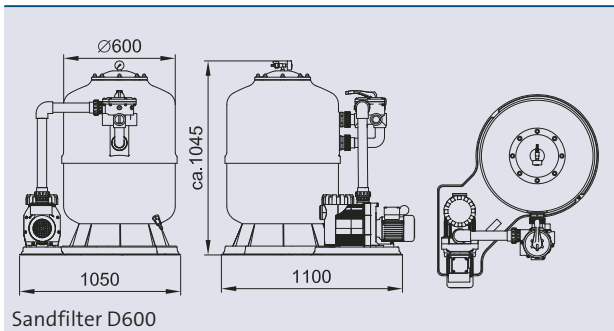
- Efficient, mechanical water filtration
- Extends the cleaning interval
- Environmentally-friendly mechanical filtration
- Pre-assembled, easy-to install unit comprised of filter, pump, and multi-port valve
- Easy to clean

Accessories (must be ordered separately)



Backwash Automatic Eurotronik

- For automatic backwash



Sandfilter D600



Sandfilter D600

Backwash Automatic Eurotronik

Connect cable on D 600 or D 800

Dimensions (LxWxH)	[mm]	245 x 140 x 95
Power Supply	[V/Hz]	230/50
Power consumption of the controller	[VA]	approx. 10
Breaking capacity	[kW]	max. 1.1
Motor-operated valve	[V]	230
Order no.		55351

Crystal quartz sand 25 kg sack

Grain	0.4 – 0.8 mm
Order no.	53428

AFM filter medium 25 kg sack

The activated filter material comes with catalytic and oxidizing characteristics. Resists biofilm accumulation and enhances the service interval.	
Grain	0.5 – 1.0 mm
Order no.	50433

The crystal quartz sand filter should be operated independently of and parallel to actual spray fountain and circulation technology. The filter can work during fountain operation, in periods when the fountain is not operating, or it can even work around the clock.

The filter system consists of a container made of fibre-glass reinforced plastic and a pump and a multi-port valve. Everything is compact and pre-mounted on a plastic pallet. The fill opening of the

filter tank is sealed with a cover and an integrated manometer. The tank can be filled with crystal quartz sand or AFM filter medium and contaminated water is suctioned in by the pump. In the filter the water is forced through the filter material via an upper distributor with sieve and then it is fed back into the pool through a lower distributor with small open-seam pipe. If the filter capacity is exhausted the filter is simply rinsed in reverse and the debris is discharged via the wastewater channel.

Table with guide values for filter runtime control / maximum pool water contents at filter runtimes of:

Sandfilter		D 600	D 800
At low contamination level			
Recirculations / day		2	2
9 hours / day	[m ³]	50	120
15 hours / day	[m ³]	70	200
24 hours / day	[m ³]	120	300
At medium level of contamination			
Recirculations / day		4	4
9 hours / day	[m ³]	30	60
15 hours / day	[m ³]	45	100
24 hours / day	[m ³]	60	150
At high level of contamination			
Recirculations / day		6	6
9 hours / day	[m ³]	20	40
15 hours / day	[m ³]	35	60
24 hours / day	[m ³]	50	100

Sandfilter		D 600	D 800
Dimensions (LxWxH)	[mm]	1000 x 870 x 1100	1000 x 1000 x 1250
Filter tank with base & lid			
Filter tank diameter	[mm]	630	830
Filter surface	[m ²]	0.28	0.50
Recirculation capacity at 8 m wc	[m ³ /h]	13	25
Filter speed at 8 m wc	[m/h]	50	50
Reverse rinse speed	[m/h]	50	50
Reverse rinse duration	[min.]	ca. 2 – 4	ca. 2 – 4
Water requirement per reverse rinse	[l]	approx. 650 in 3 min.	approx. 1250 in 3 min.
Grain of the filter material	[mm]	0.4 – 1.0	0.4 – 1.0
Quantity of the filter material	[kg]	approx. 125	approx. 325
Max. operating temperature	[°C]	40	40
Max. operating pressure	[bar]	2.5	2.5
Suction line connection	[inch]	2	2
Pressure line connection	[inch]	1 ½	2
Back wash connection	[inch]	1 ½	2
Nominal motor power	[kW]	0.65	1.3
Motor power consumption	[kW]	0.97	1.85
Nominal motor voltage	[V/Hz]	230/50	230/50
Nominal motor current	[A]	4.7	8.3
Motor protection class		IP x 4	IP x 4
Weight without sand	[kg]	40.0	72.0
Filter tank material		GFK (Polyester)	GFK (Polyester)
Pump material		PP TV 20/PP TV 40	PP GF 30/PP TV 40
Order no.		50431	50432